

Reply to : Licensing Team
Tel : 01993 861000
Email: ers@westoxon.gov.uk

Council Offices

Woodgreen,
WITNEY,
Oxfordshire,
OX28 1NB
Tel: 01993 861000
www.westoxon.gov.uk



The Town Council

Your Ref: W/24/01367/PAVLIC

Date: 21st November 2024

Dear Town Clerk,

**BUSINESS AND PLANNING ACT 2020
APPLICATION FOR PAVEMENT LICENCE**

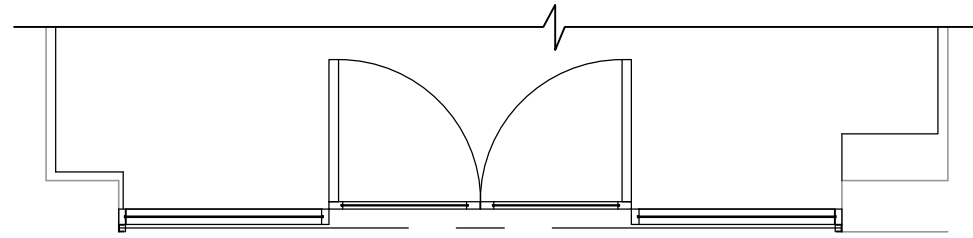
We have received an application for **Greggs Unit 4 5 Welch Way Witney Oxfordshire OX28 6JH** under the Business and Planning Act 2020.

The application form and supporting docs are attached to this email. If you would like to make formal representation please email ERS@westoxon.gov.uk, the closing date is **5th December 2024**.

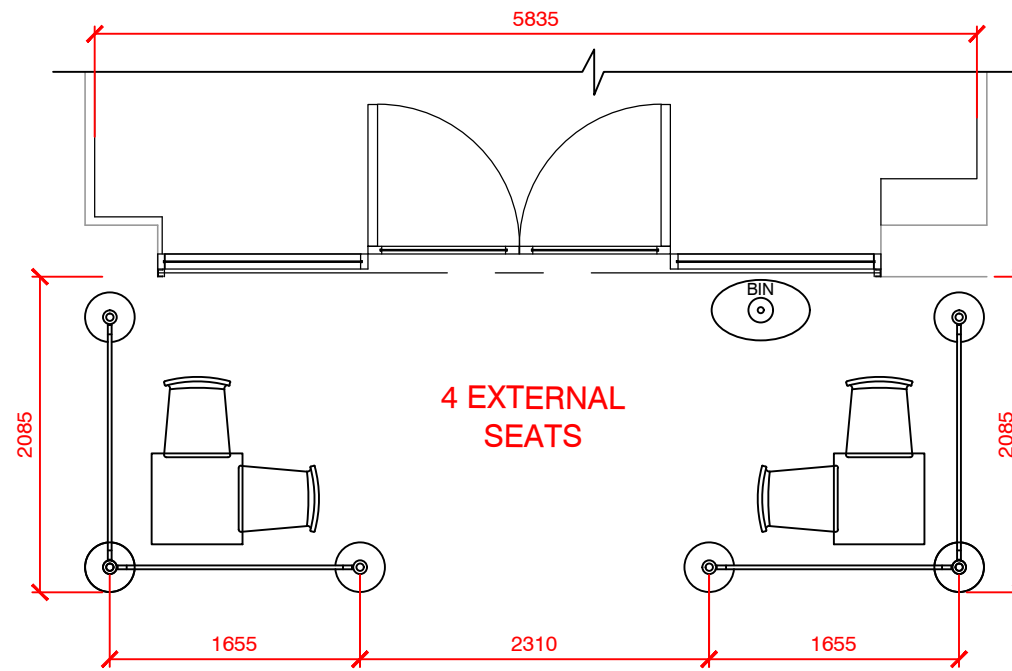
Yours faithfully

**Licensing Team
Environmental and Regulatory Services**

West Oxfordshire District Council may share information provided to it with other bodies responsible for auditing or administering public funds in order to prevent and detect fraud under Section 6 of the Audit Commission Act 1998

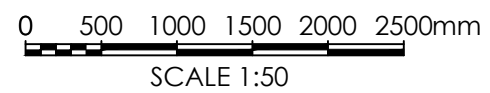


EXISTING FLOOR PLAN (1:50)



PROPOSED FLOOR PLAN (1:50)

GREGGS OUTDOOR SEATING SCALE 1:50 @ A3
U4 WELCH WAY WITNEY OX28 6JH





Tables tops are 600 x 600mm in size.

The tops are Melamine Sheet with transfer with African Hardwood and chipwood moulded and are 17mm in the middle and expand out to 35mm.



Dimensions	
Overall Height:	800mm
Overall Width:	440mm
Overall Depth:	530mm
Seat Height:	440mm
Arm Height:	n/a
Weight:	3,080kg
Material:	Polypropylene Anodized alu legs
Colour/Finish	Black White
COM	n/a
Stacking	Yes
Feet	
Adjustable	n/a
Thread size	
Rec. Top Size	n/a
Outdoor?	Yes



Dimensions	
Overall Height:	710mm
Overall Width:	To fit 600, 700, 800
Overall Depth:	To fit 600, 700, 800
Seat Height:	n/a
Arm Height:	n/a
Weight:	
Material:	Aluminium
Colour/Finish	Silver Grey
COM	n/a
Stacking	Yes
Feet	
Adjustable	
Thread size	
Rec. Top Size	600mm Square 700mm Square 800mm Square
Outdoor?	Yes

Business premises use	Other use for the sale of food or drink for consumption on or off the premises
Description of the area	Paved area outside shop Plan attached
Monday start time	06:30
Tuesday start time	06:30
Wednesday start time	06:30
Thursday start time	06:30
Friday start time	06:30
Saturday start time	06:30
Sunday start time	09:00
Monday finish time	17:30
Tuesday finish time	17:30
Wednesday finish time	17:30
Thursday finish time	17:30
Friday finish time	17:30
Saturday finish time	17:30
Sunday finish time	16:00
Furniture purpose	For the purpose of consuming food or drink
Description of the furniture	2 x Black tables with aluminium legs 4 x black chair with aluminium legs 4 x Blue canvas banners held with HD posts 1 x Customer black bin
Do you intend to alter any of the building and / or frontage to accommodate this proposal?	No